

# Flush Mount PIR Motion Sensor



HBIR30 /CA

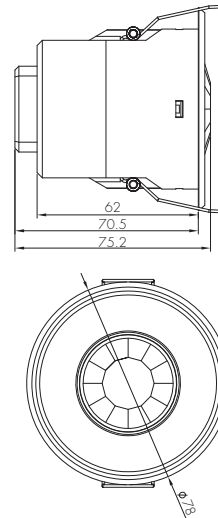
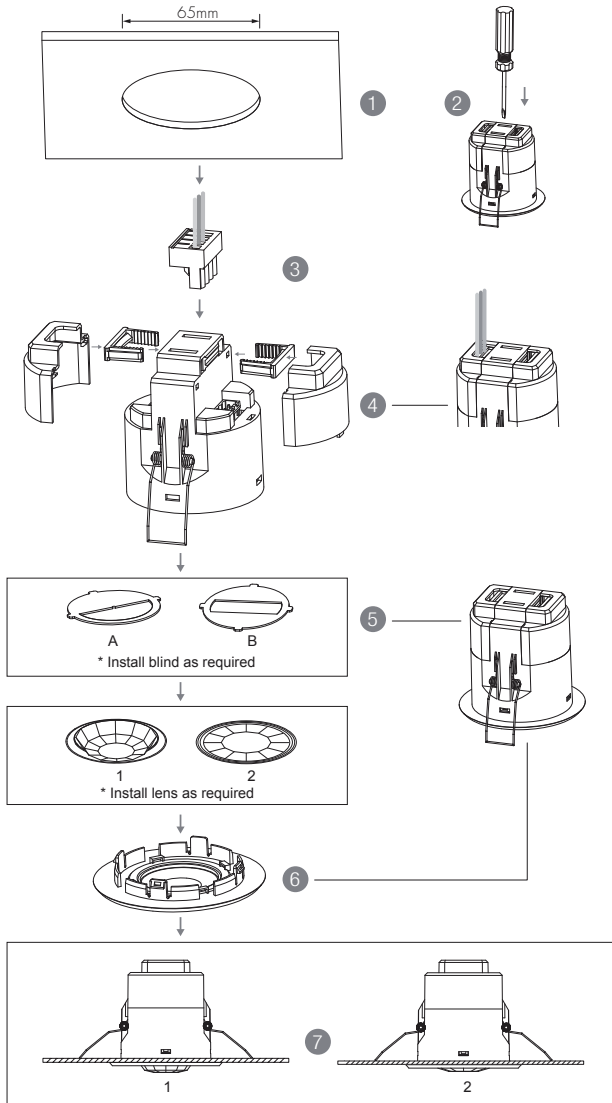
Wireless sensor compatible with Casambi based systems

# HYTRONIK®



CB

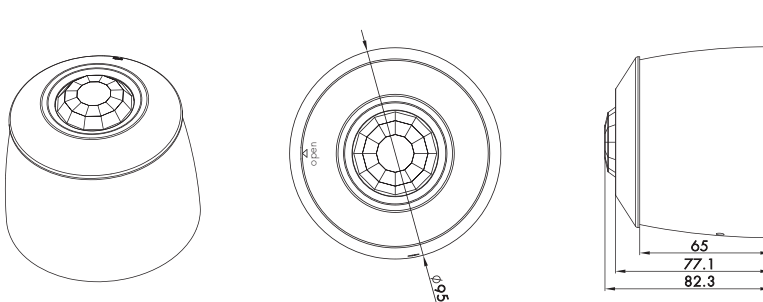
IP20



Recess / flush mount version

1. Ceiling (drill hole 65mm)
2. Carefully prise off the cable clamps.
3. Make connections to the pluggable terminal blocks.
4. Insert plug connectors and secure using the provided cable clamps, then clip terminal covers to the base.
5. Fit detection blind (if required) and desired lens.
6. Clip fascia to body.
7. Bend back springs and insert into ceiling.

## Optional accessory



Ceiling mount version

## Technical Data

### Input Characteristics

Model No.	HBR30 /CA
Mains voltage	220~240VAC 50/60Hz
Stand-by power	<0.2W
Warming-up	20s

### Sensor Data

Model No.	HBR30 /CA
Sensor principle	PIR detection
Detection range	( $\varnothing$ x H) 12m x 3m (max)
Detection angle	360°
Mounting height	3m

### Bluetooth Transceiver

Operation frequency	2.4 GHz - 2.483 GHz
Transmission power	7 dBm
Range (Typical indoor)	15~30m
Protocol	Bluetooth® 4 Wireless Mesh

### Safety and EMC

EMC standard (EMC)	EN55015, EN61000
Safety standard (LVD)	EN60669-1, EN60669-2-1
Certification	Semko, CB, CE, EMC, LVD, RCM

### Environment

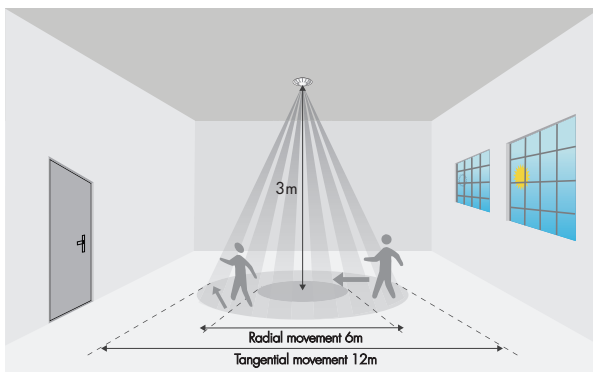
Operation temperature	Ta: -20°C ~ +50°C
IP rating	IP20

Free smartphone App for setup and commissioning

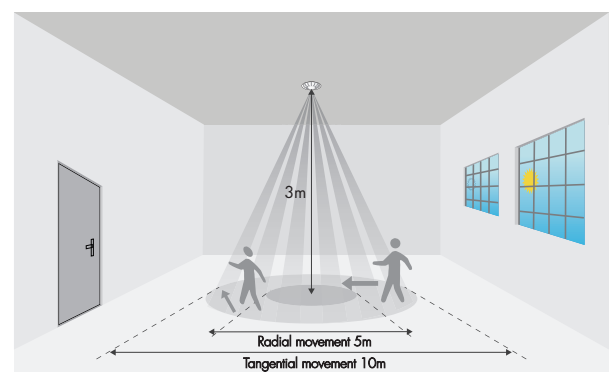
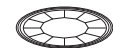


## Detection Pattern

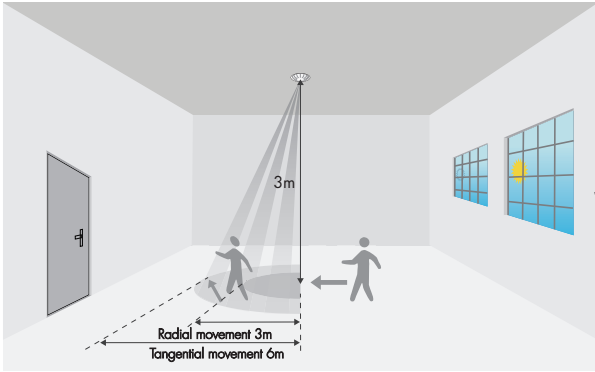
Detection range with convex lens



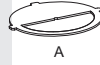
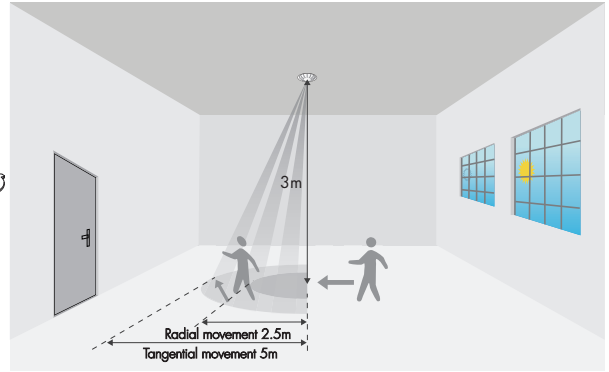
Detection range with flat lens



Detection range with convex lens and 50% Blind A



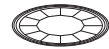
Detection range with flat lens and 50% Blind A



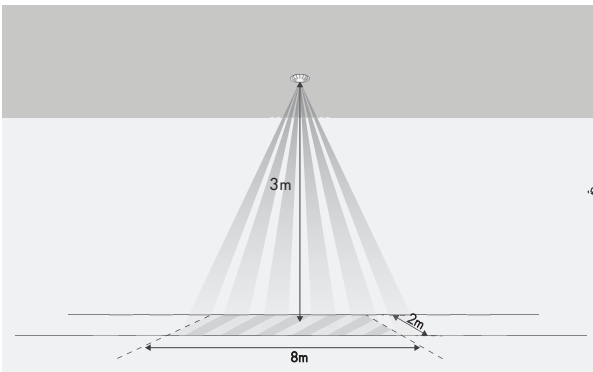
Detection range with convex lens



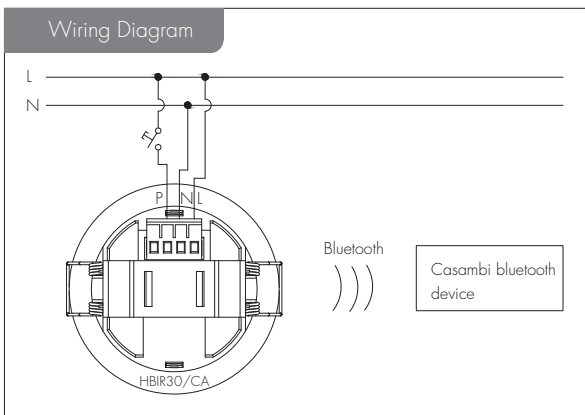
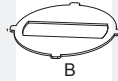
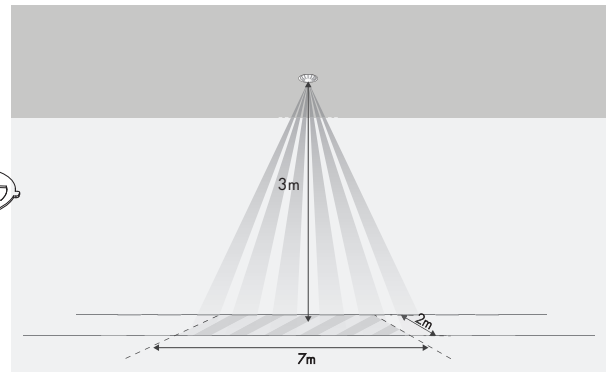
Detection range with flat lens



Detection range with convex lens and corridor blind B



Detection range with flat lens and corridor blind B



**Functions and Features (Configurable in Casambi App)**

- Hold-time
- Fadetime
- Daylight threshold
- "Push" Function: on/off, brightness adjustment, color tuning or scene selection can be configured on Casambi APP.