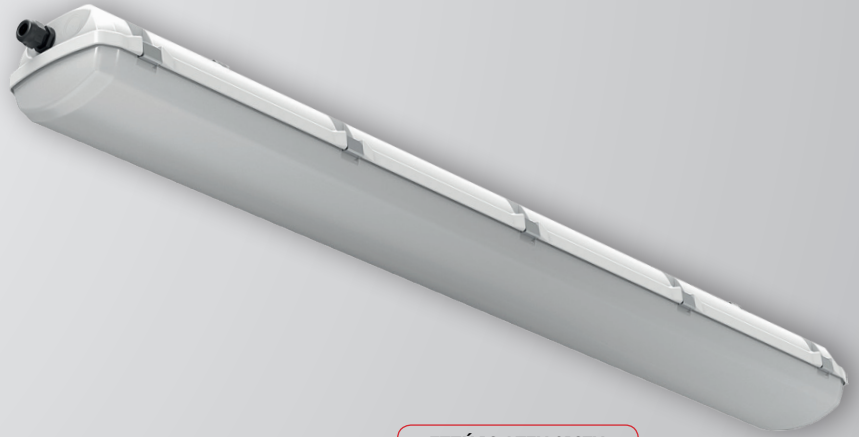


EXTRA-Ex-LED

IP 66 /  ZONE 1/2I



FTZÚ 16 ATEX 0167X



Application: The dustproof lighting fixture EXTRA-Ex-LED with splash water resistance is designed for lighting of areas with danger of explosion. The lighting fixture is certified by FTZU Ostrava-Radvanice (certificate type FTZU 16 ATEX 0167X).

Ballast: EP – electronic 110 – 254 V, 50/60 Hz AC, EP – electronic, 220 – 250 V, 0 Hz DC

Light source: LED, 4000K, CRI +80

Housing: Plastic material PC (polycarbonate), grey colour RAL 7035

Diffuser: Opal cover PC (polycarbonate)

Fastening: Surface ceiling or wall mounting by means of two self-locking fastening brackets (standard equipment) or set of wall brackets - angle 45°, pole mounting via set of pole brackets, suspension by means of wire or cable suspenders.

Connection: Screwless three-pole terminal block, maximum diameter of wires 4 mm²

Standard equipment: 1pc EX plastic cable gland M20x1.5 (as a standard for diameter of cable 7-12mm), 1 pc EX plastic plug M20x1.5, 2 pcs stainless steel fastening bracket-AISI 304, stainless clips, double cable clip.

Calculated lifetime – LED modules:

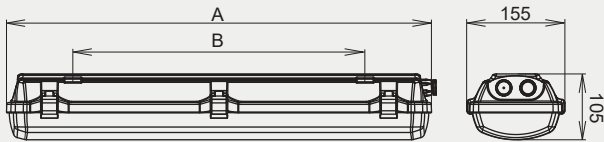
L80B50 Ta50 – 60 000h

L70B50Ta25 - 135 000h

EXTRA-Ex-LED, MULTIEXTRA-Ex-LED, EXTRA-Ex-LED-Em

Ⓜ II 2G Ex eb mb op is IIC T4 Gb

Ⓜ II 2D Ex tb op is IIIC T67°C Db



Order number	Name	Lighting fixture luminous flux (lm)	Power input (W)	Rated power output (lm/W)	Ta max (°C)	Dimensions of lighting fixture A (mm)	Mounting spacing B (mm)	Equivalent**	Weight (kg)
050630	EXTRA-Ex-LED-OP-2750-218-4K	2345	16	147	50	670	460	2x18W	3,4
050610	EXTRA-Ex-LED-OP-4000-218-4K	3139	28	112	50	670	460	X	3,4
050631	EXTRA-Ex-LED-OP-5500-236-4K	4654	30	155	50	1280	880	2x36W	5,6
050611	EXTRA-Ex-LED-OP-8000-236-4K	6561	53	124	50*	1280	880	2x58W	5,6

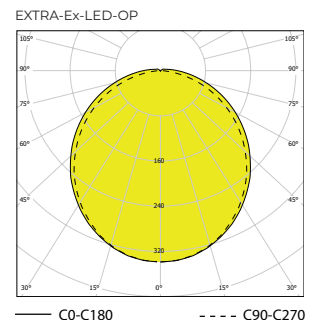
Tolerance of luminous flux and power input of the lighting fixture +/- 10%

* in version for 110V 50/60 Hz declared for ta 40°C


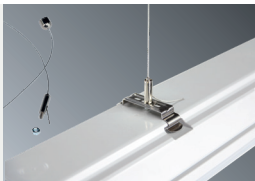


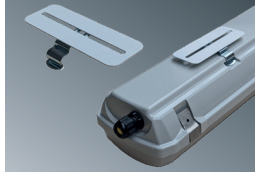
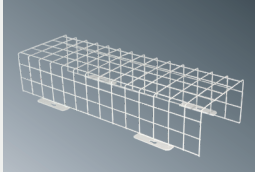
** Luminaires are not a direct replacement. They may vary in length. The required lighting of the room must be verified by calculation.



For areas with with the appearance of oily emulsions, aggressive chemicals, vibration, mechanical stress we recommend to use the fixtures series PITBUL-EX-LED, AQUA-EX-LED, EXTEND-EX-LED



Accessories on request

	001696 Wire suspension EXTRA		051131 Cable suspension EXTRA-2x (3m)
	064643 Set of brackets to a wall - angle 45° EXTRA, AISI304 (2 pcs)		051157 Pole bracket EXTRA (for Ø 50 mm)
	065465 Adjustable fixing brackets EXTRA		001748 LAK Protective cage EXTRA 18W 001749 LAK Protective cage EXTRA 36W 001750 LAK Protective cage EXTRA 58W

Standard accessories M20		Accessories for armoured cable M20		Nickel-plated accessories M20	
008065	Cable gland WISKA EX M20x1.5 ESKE/1-e 20 - black (2,30 Nm)	008052	Cable gland BIMED M20x1.5 ORION UNIVERSAL (8+/- 0.5Nm)	008092	Cable gland WISKA EMSKE20 M20x1.5 Ex-nickel-plated brass (8 Nm)
007047N	Flat sealing ring EPDM 27x18.5x1.5 mm	008091	Sealing plug WISKA EMVS20 M20x1.5 Ex-nickel-plated brass	008093	Nut WISKA EMMU20 M20x1.5 - nickel-plated brass
008090	Plastic sealing plug Ex M20x1.5	008093	Nut WISKA EMMU20 M20x1.5 -nickel-plated brass	008091	Sealing plug WISKA EMVS20 M20x1.5 Ex-nickel-plated brass
008097	Plastic nut WISKA EMUG 20 M20x1.5	007047N	Flat sealing ring EPDM 27x18.5x1.5 mm	007047N	Flat sealing ring EPDM 27x18.5x1.5 mm

Lighting fixture detail



Marking system and overview of approved variants of lighting fixtures

EXTRA-Ex-LED-XXXX-YYY	lighting fixture type for standard operation
MULTIEXTRA-Ex-LED-XXXX-YYY	lighting fixture type for maintained emergency lighting
EXTRA-Ex-LED-Em-XXXX-YYY	lighting fixture type for non-maintained emergency lighting
XXXX*	indicates value of luminous flux (lumen) 4000/8000
YYY*	indicates the type of lighting fixture housing 218/236

On request

EM-1.5/3 - non-maintained emergency lighting

MULTI-1.5/3 - maintained emergency lighting is always on (standard luminaire with emergency lighting module)

1/3 F - single-phase or three phase through wiring connection, max. diameter of wires 4 mm2

3000/4000/6000 K - colour temperature

Standard or- order number	EM-1,5H	EM-3H	MULTI-1,5H	MULTI-3H	DALI	1F	3F
050630	X	X	X	X	X	050630 1F	050630 3F
050610	X	X	X	X	X	050610 1F	050610 3F
050631	X	X	X	X	X	050631 1F	050631 3F
050611	050612	050613	050614	050615	X	050611 1F	050611 3F

Use of lighting fixtures in areas with danger of explosion	Marking of external influences	Area classification	
		Marking	Directive
Danger of explosion of flammable dust	BE3N1	ZONE 21.22	ČSN EN 60079-14, ČSN EN 60079-10-2
Danger of explosion of flammable gases and vapours	BE3N1	ZONE 1.2	ČSN EN 60079-14, ČSN EN 60079-10-1