



CAREX



Monteringsvejledning

Product introduction

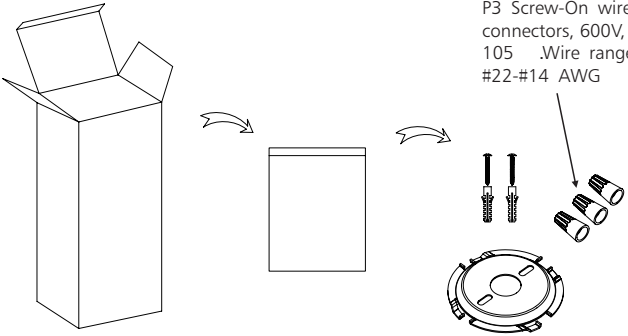
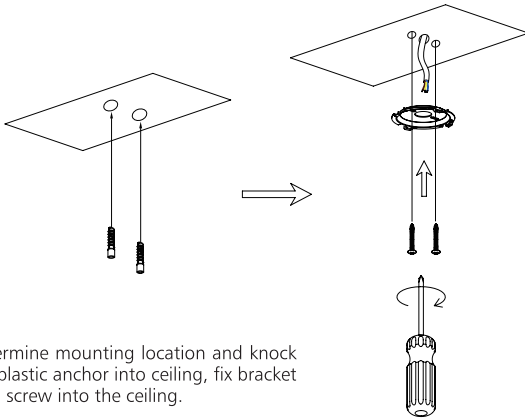
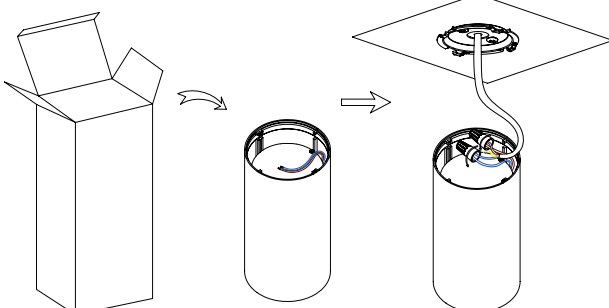
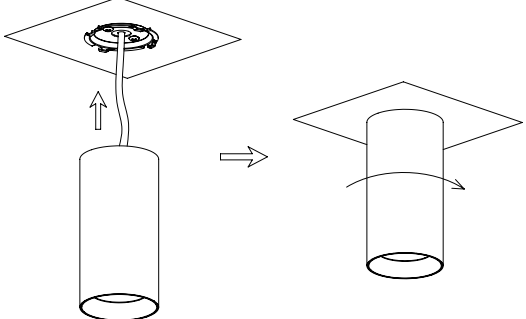
Whole lamp adopts straightforward design with stylish appearance, easy to install, simple and generous, paying more attention to leisure and comfort. It gives space a clear and lively feelings. The color of surface ring is replaceable, which could create diversified light atmosphere according to different environment.

Suspension wire adopts pull-resistance triple-core wire wrapped with woven cloth. It enhances the tensile strength and easily install compared to steel wire. The lamp adopts high quality reflector which has good reflective rate and light output > 86%. AL6063 Aluminum radiator in sand blast oxidation treatment provides excellent heat dissipation and corrosion resistance. LEDs are high lumen COB chip with CRI>80. Built-in driver is independent and replaceable, which is friendly maintenance. PF>0.9, THD<20%, passed EMC test with strong anti-jamming capability. Besides, it possesses short-circuit protection and overvoltage protection function, showing high safety performance.



SKAL MONTERES AF
EN AUTORISERET
EL-INSTALLATØR

Installation

 <p>Take out the accessories from accessory box.</p> <p>P3 Screw-On wire connectors, 600V, 105 .Wire range: #22-#14 AWG</p> <p>1</p>	 <p>Determine mounting location and knock the plastic anchor into ceiling, fix bracket with screw into the ceiling.</p> <p>2</p>
 <p>Connect the corresponding polarities between the wire on the ceiling and input wire by screw terminal.</p> <p>3</p>	 <p>After proper alignment and adjustment between lamp and mounting plate, then rotate the lamp clockwise until it is stuck firmly by mounting plate.</p> <p>4</p>

! ADVARSEL

1. Sluk for strømmen før installation.
 2. Tænd kun for strømmen igen efter fuldstændig installation og undersøgelse af kredsløbet.
 3. Brug kun autoriseret elektriker til installation og vedligeholdelse.
 4. Denne lampes lyskilde kan ikke udskiftes; når lyskilden når sin slut levetid, skal hele armaturet udskiftes.
 5. Hvis det eksterne fleksible kabel eller ledningen til dette armatur er beskadiget, må det udelukkende udskiftes af producenten eller en autoriseret el-installatør person for at undgå en fare.
- Ta=45°C